

# Dock leveller

## Crawford DL6010S

ASSA ABLOY

ASSA ABLOY Entrance Systems

The global leader in  
door opening solutions



### Swing lip dock leveller for general applications

The Crawford DL6010S Swingdock is the standard solution in general industry applications which is easy to operate. The swing lip of the Crawford DL6010S Swingdock safely bridges the gap between the ramp and the vehicle bed.

To enable a safe and efficient process for loading and unloading, the Crawford DL6010S Swingdock connects the building with the vehicle. The result is highest safety for the transfer of goods, avoiding injuries to the personal or damages to the equipment.

The Crawford DL6010S Swingdock:

- Preventive maintenance is easy and fast to secure functionality and avoid downtimes.
- Bent swing lip prevents material handling equipment from "grounding out".
- Swing lip with open hinges to avoid blockage of swinging out movement, free of cleaning, and very easy to maintain.
- Very robust Swing lip support with burned plates. All impact forces are absorbed in optimal way avoiding damages and providing long life time.

#### Crawford 950 series - the intelligent, all in one, docking control system

The innovative and unique 950 series docking control system gives you direct control of the dock leveller, dock shelter and door all in one control unit. With only a few self explaining buttons it is easy to operate, to meet the demands of modern logistics. Separate steering units or complex wiring are no longer needed.

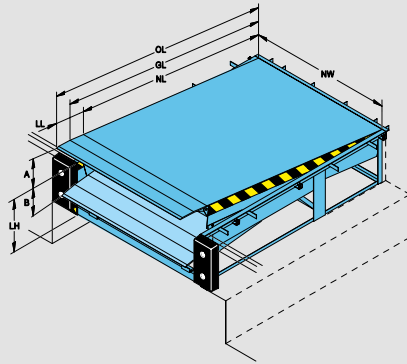
#### Crawford DE6090DI Dock-IN

Crawford Dock-IN is the world's first combined solution with parking guide and traffic lights in one system. Crawford Dock-IN ensures a safe and secure dock in procedure with the help of white guiding lights and red traffic lights. There is no need to paint and repaint guiding lines on the asphalt or install conventional steel parking guides, which are an obstacle in the yard. With modern LED technology Crawford Dock-IN has a low energy consumption and a long life.

### Technical Data

Nominal length	2000, 2250, 2500, 2770, 3000, 3500, 4000, 4500 mm
Nominal width	1750, 2000, 2200 mm
Load capacity	60 kN (6 tonnes)
Vertical working range	
Rise above dock	up to 520 mm
Fall below dock	down to 350 mm
Platform tear-plate thickness	6/8 mm - 8/10 mm
Max. point load leveller platform	
6 mm tear plate	1,3 N / mm <sup>2</sup>
8 mm tear plate	6,5 N / mm <sup>2</sup>
Lip material & length	steel, 400 / 500 mm
Control unit protection class	IP 54
Temperature range hydraulic oil	-20°C - +60°C
Magnetic valves	24 V / DC 18W S1
Nominal voltage	400V 3-phase
Nominal motor power	0,75 kW
European standard	EN 1398 Dock levellers

## Dimensions

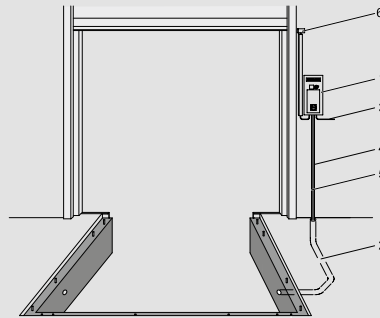


NL	Nominal length
OL	Overall length
GL	Gradient length
NW	Nominal width
LL	Lip length
LH	Leveller height
A	Working range above dock level
B	Working range below dock level

Dimensions				Vertical working range			
NL	OL	GL	LH	LL 400		LL 500	
				A	B	A	B
2000	NL+330	NL+190	600	260	280	-	-
	NL+330	NL+190	700	290	330	180	360
2250	NL+330	NL+190	600	290	275	-	-
	NL+330	NL+190	700	300	345	180	380
2500	NL+330	NL+190	600	310	270	-	-
	NL+330	NL+190	700	390	340	270	360
2770	NL+330	NL+190	600	335	270	-	-
	NL+330	NL+190	700	400	340	290	360
3000	NL+330	NL+190	600	340	265	-	-
	NL+330	NL+190	700	400	335	280	290
3500	NL+330	NL+190	800	495	335	390	345
4000	NL+330	NL+190	900	540	335	430	345
4500	NL+330	NL+190	900	590	335	480	345

Nominal width 1750, 2000, 2200

## Electrical preparations



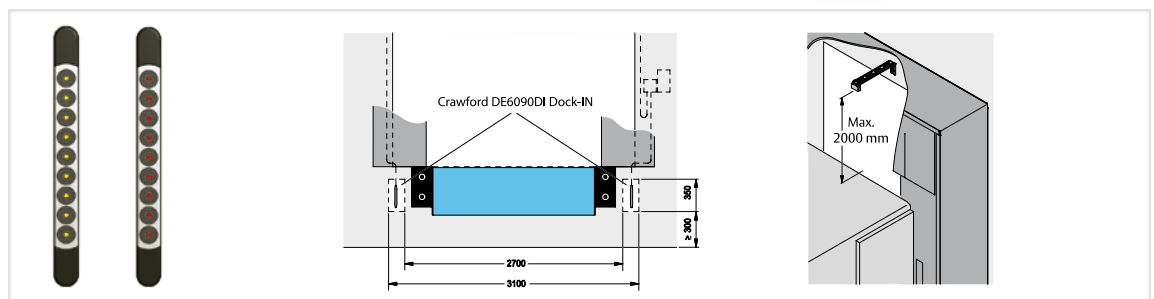
- Control unit (included in the delivery)
  - Conduit for wiring internal diameter 70, angles <math><45^\circ</math> (by others)
  - Mains supply: 3 / N / PE AC 50 Hz  
230 / 400V  
Mains fuse: D0 10 A gL  
Motor power: 0,75 kW
  - Cable: 7 x 0,75 mm<sup>2</sup>
  - Motor cable: 4 x 1,5 mm<sup>2</sup>
  - Optional safety switch on sectional door to disable leveller when door is closed\*
- \*Non standard

## Operating functions for swing lip levellers

950 L SD / 950 LA SD	950 DL SD / 950 DLA SD	950 LS SD / 950 LSA SD	950 DLS SD / 950 DLSA SD
	+	+	+  +

SD = Swingdock  
L = Leveller  
A = Auto Button  
D = Door  
S = Shelter

## Crawford DE6090DI Dock-IN



## Standard available colours

	Red RAL 3002		Green RAL 6005
	Blue RAL 5010		Jet Black RAL 9005