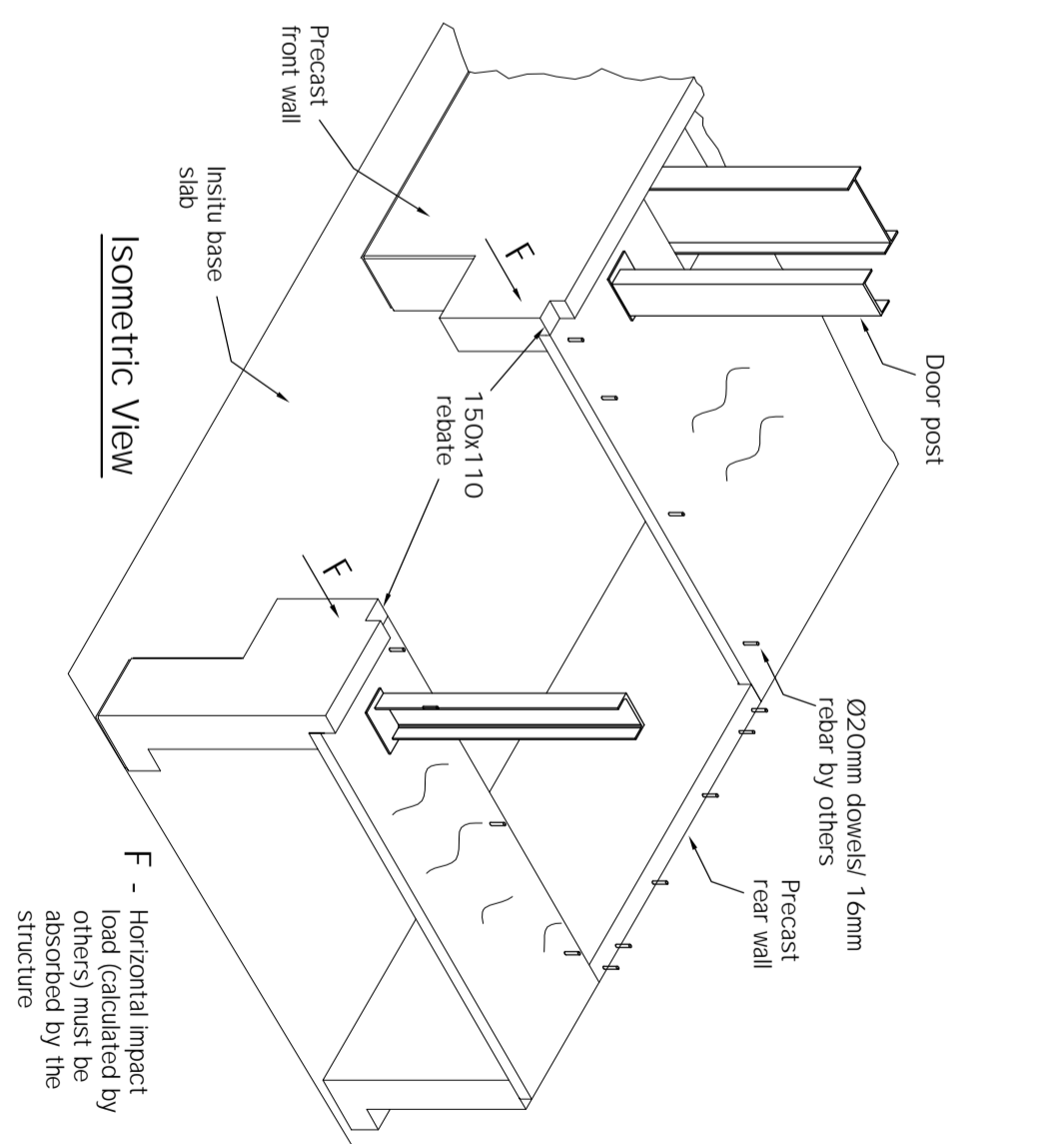
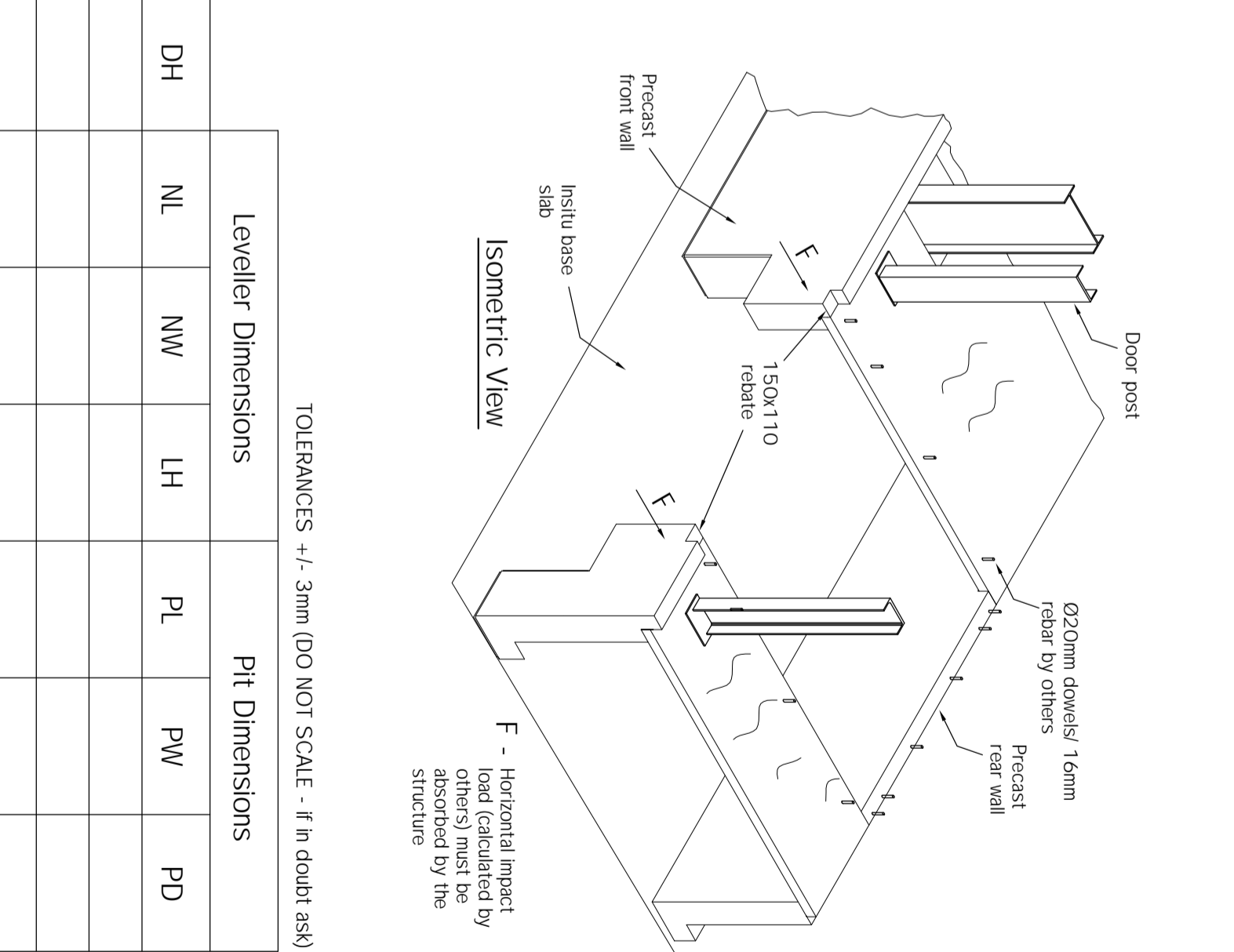
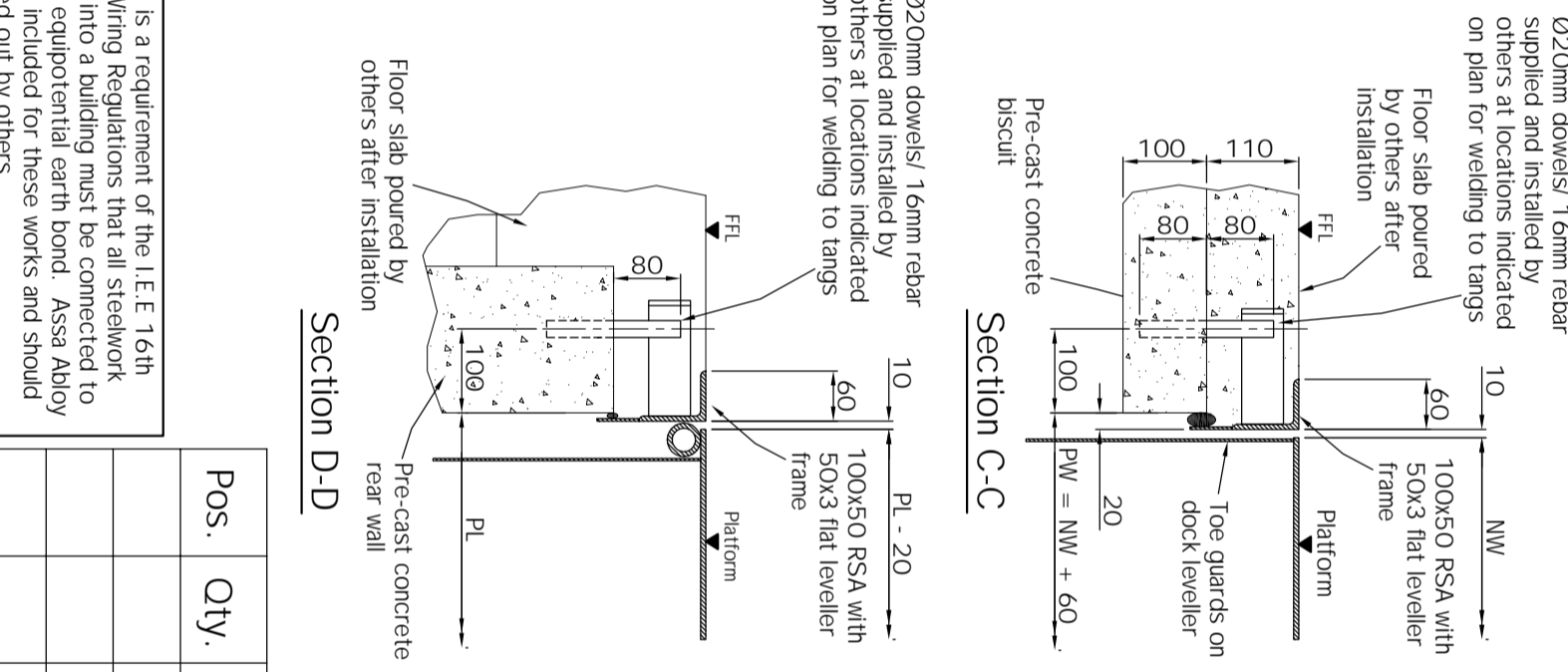
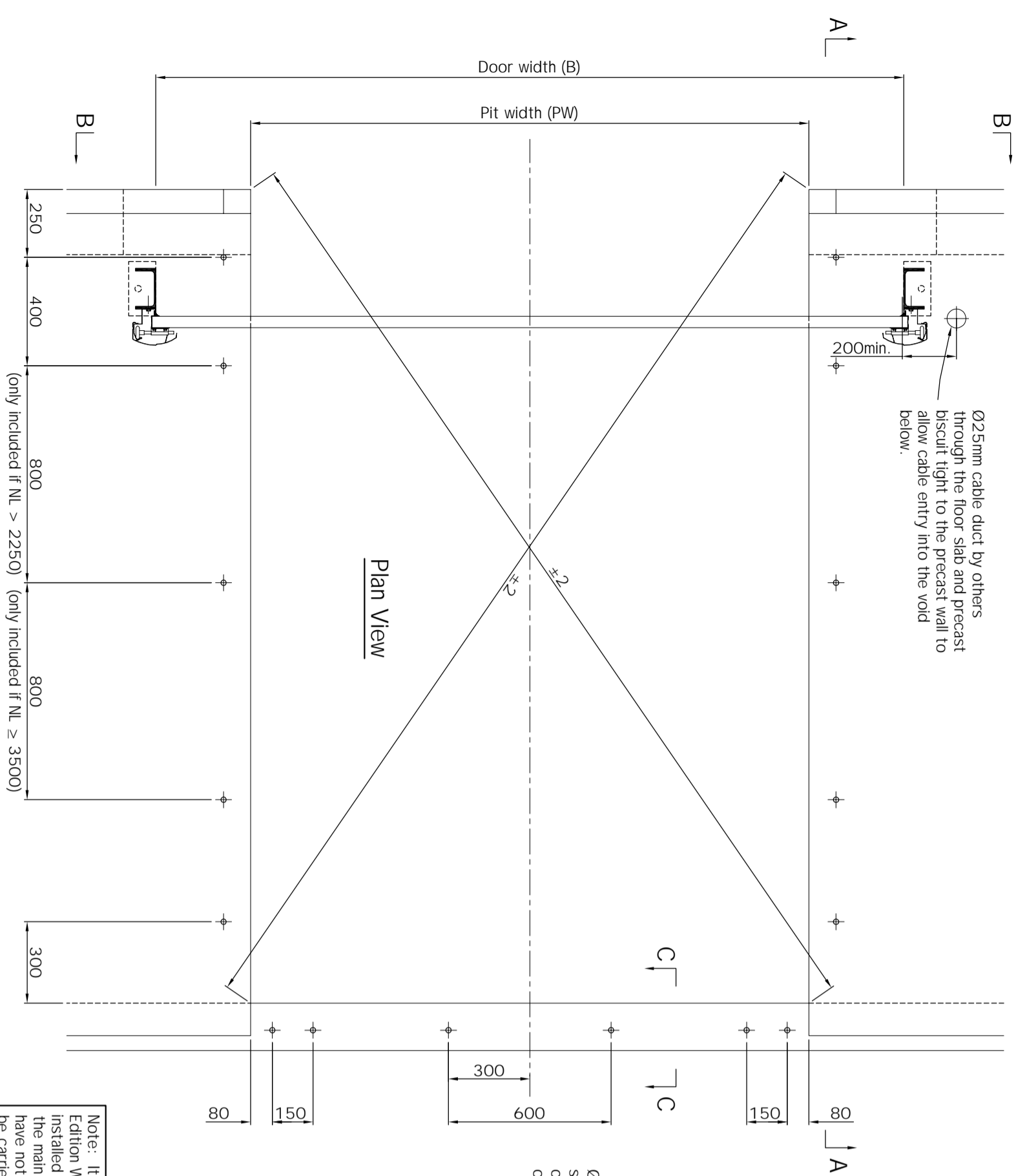
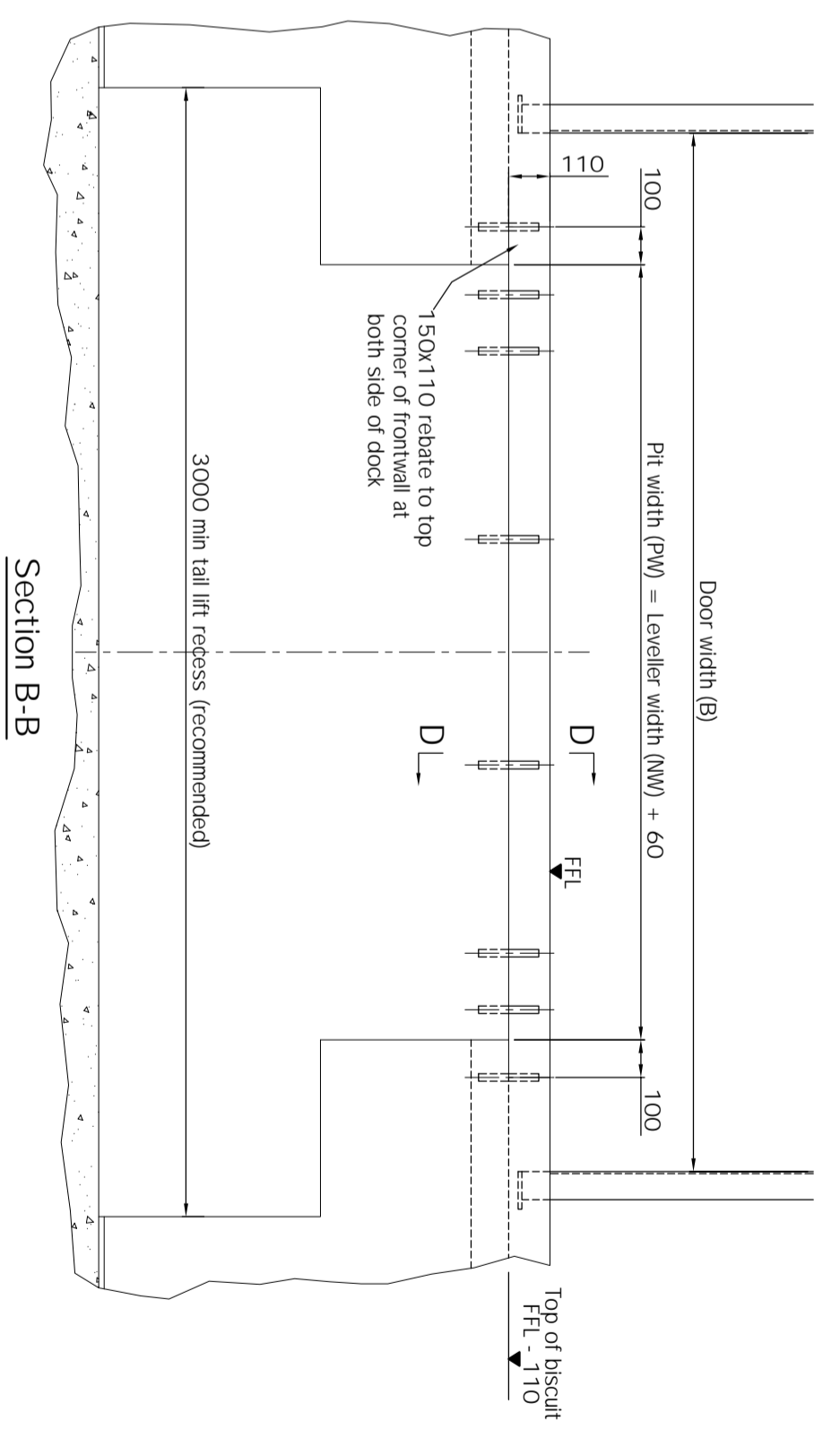
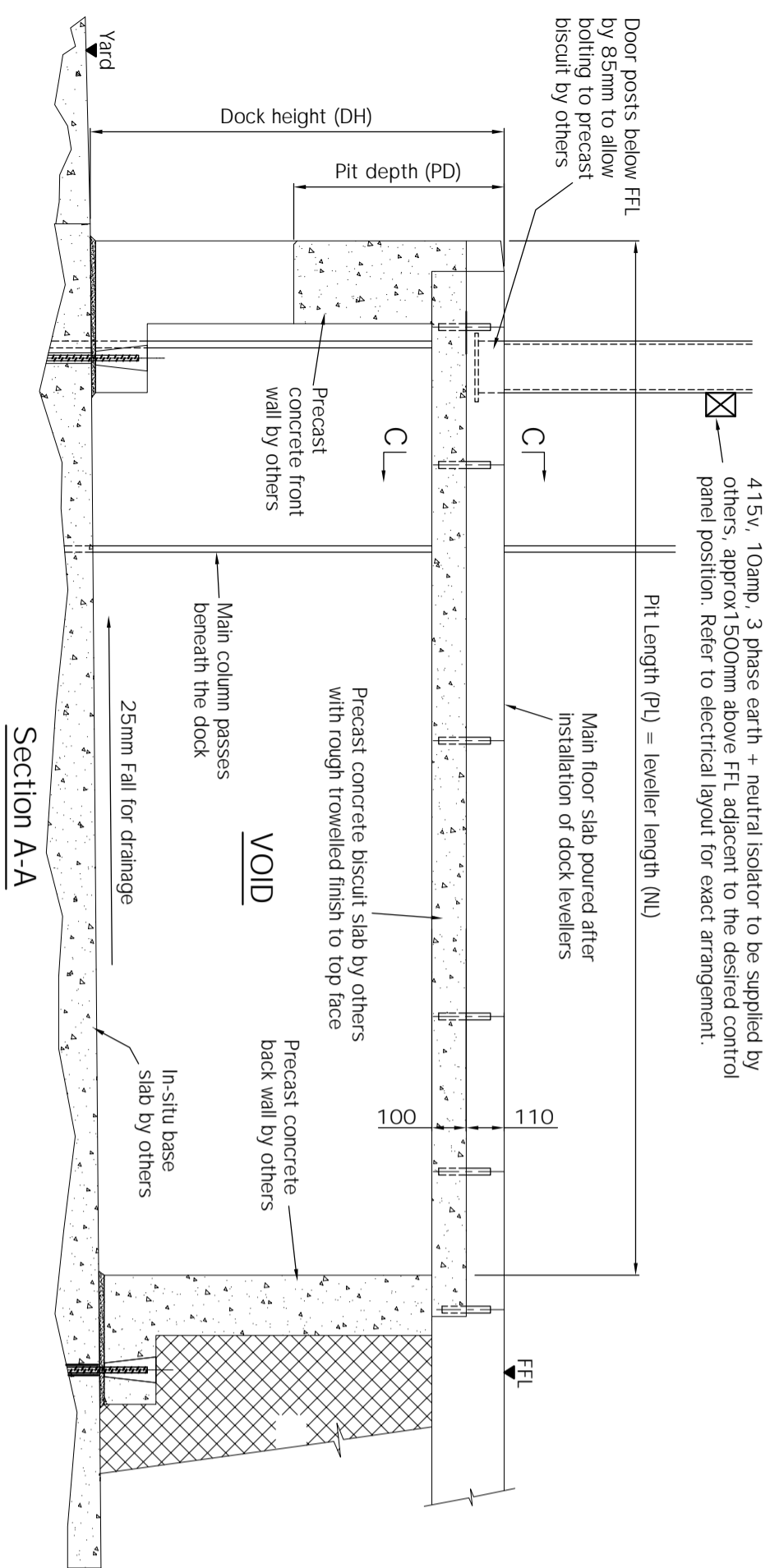


415v, 10amp, 3 phase earth + neutral isolator to be supplied by others, approx 1500mm above FFL adjacent to the desired control panel position. Refer to electrical layout for exact arrangement.



Note: It is a requirement of the I.E.E 16th Edition Wiring Regulations that all steelwork installed into a building must be connected to the main equipotential earth bond. Assa Aabloay have not included for these works and should be carried out by others.

TOLERANCES +/- 3mm (DO NOT SCALE - if in doubt ask)

Pos.	Qty.	DH	NL	NW	LH	PL	PW	PD

SPECIFICATION: SwingDOCK	
INSTALLATION TYPE:	Frame T <input checked="" type="checkbox"/>
LIP MATERIAL:	Steel <input type="checkbox"/> Aluminium <input type="checkbox"/>
LIP LENGTH:	400mm <input type="checkbox"/> 500mm <input type="checkbox"/>
LIP OPTIONS:	Standard <input type="checkbox"/>
	Tapered (100mm each side) <input type="checkbox"/>
	Fold Down Segments (1 each side) <input type="checkbox"/>
	Bevelled (Steel Lip - 40mm) <input type="checkbox"/>
	Bevelled (Steel Lip - 100mm) <input type="checkbox"/>
FINISHES:	Standard Ral 5010 - Blue <input type="checkbox"/>
	Other (specify Ral / BS colour) <input type="checkbox"/>
	Hot Dip Galvanized <input type="checkbox"/>
ADDITIONAL OPTIONS:	EPDM Seals (to platform perimeter) <input type="checkbox"/>
	40mm Platform Insulation <input type="checkbox"/>
	Anti-slip Surface Protection <input type="checkbox"/>
	Noise Reduction <input type="checkbox"/>
	Low Temperature Oil <input type="checkbox"/>
	Environmental Oil <input type="checkbox"/>
CONTROL PANEL:	950 L <input type="checkbox"/> 950 LA <input type="checkbox"/>
	950 DL <input type="checkbox"/> 950 DLA <input type="checkbox"/>
	950 DLS <input type="checkbox"/> 950 DLSA <input type="checkbox"/>
CONTROL OPTIONS:	Integrated Door Control <input type="checkbox"/>
	Integrated Shelter Control <input type="checkbox"/>
	Auto Leveller Retraction <input type="checkbox"/>
BUFFER OPTIONS:	400x80x70 + 10mm Plate <input type="checkbox"/>
	500x250x90 + 15mm Plate <input type="checkbox"/>
	500x250x140 + 15mm Plate <input type="checkbox"/>
	Floating (EBF) <input type="checkbox"/>
	Height Adjustable (EBH) <input type="checkbox"/>
NOTES:	

DRAWN BY:   
 CHECKED BY:   
 DATE:   
 DRAWING NO.   
 REV.

**ASSA Aabloay**  
 ASSA Aabloay Entrance Systems Ltd  
 Industrial Door and Docking Solutions  
 7 Churchill Way . 35A Business Park . Chapelton . Sheffield . UK . S35 2PY  
 Tel: +44 (0)114 257 4330 Fax: +44 (0)114 257 4399

TITLE: Pit setting out details for SwingDOCK leveller with 6T single axle load. Precast pit with tail lift.

CLIENT:   
 SITE:   
 DP 008 - SwingDOCK Precast Pit - with tail lift A

DRAWING STATUS: PRELIMINARY FOR APPROVAL   
 CONSTRUCTION   
 AS BUILT

REV.	BY	DATE	COMMENT

DRAWN BY:   
 CHECKED BY:   
 DATE:   
 DRAWING NO.   
 REV.