

STATE WHEN ORDERING

FW = mm
 FH = mm
 COW = mm
 COH = mm
 CL = mm

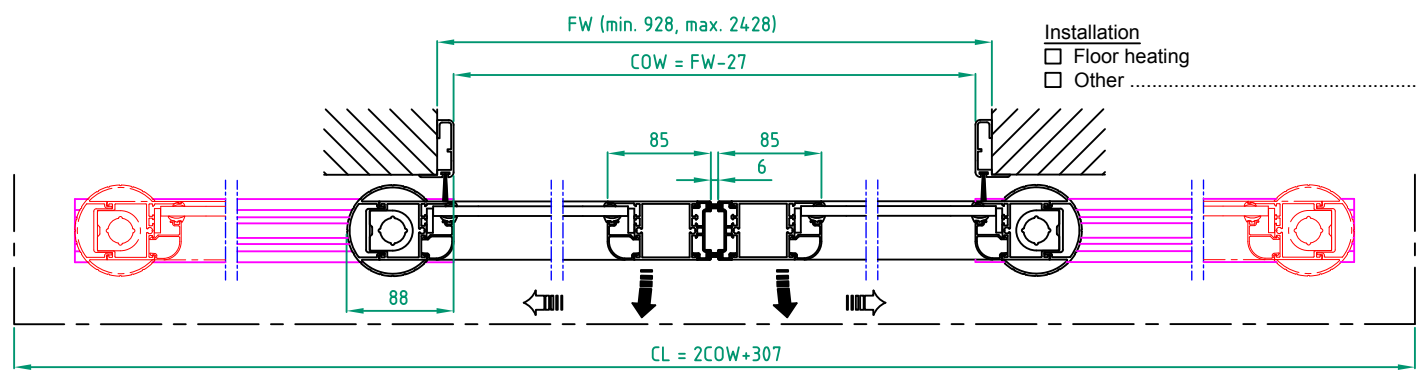
Surface treatment
 Silver anodized
 Special anodized
 RAL
 Special powder coating

Options see layers:
 Bottom rail 178
 Midrail 70, MH = mm
 Midrail 150, MH = mm

Glass option see drw. 1009026
 Glass code:

Limitation
 If 22 mm glass FW x FH = max. 5,1 m²
 If 40 mm glass FW x FH = max. 4,4 m²

Installation
 Floor heating
 Other



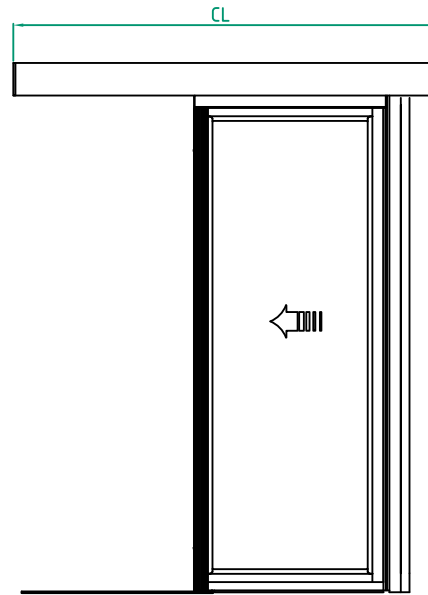
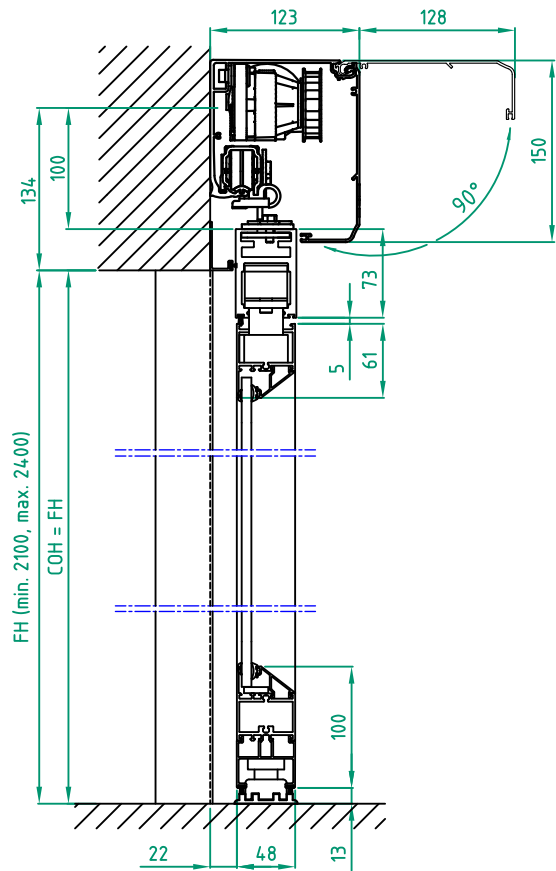
©ASSA ABLOY Entrance Systems AB, 2017
 Technical data subject to change without notice.

Customer: _____
 Door id: _____
 Project No: _____

Ref: _____
 Date: _____
 Sign: _____

Automatic door system
 ASSA ABLOY Frame reverse break-out 2 Panel wall mounted
 Art. No. 1009383-2PB-15
 ASSA ABLOY SL500

ASSA ABLOY
 6.0 1009383-EI



STATE WHEN ORDERING

FW = mm
 FH = mm
 COW = mm
 COH = mm
 CL = mm

Surface treatment

Silver anodized
 Special anodized
 RAL
 Special powder coating

Options see layers:

Bottom rail 178
 Midrail 70, MH = mm
 Midrail 150, MH = mm

Glass option see drw. 1009026

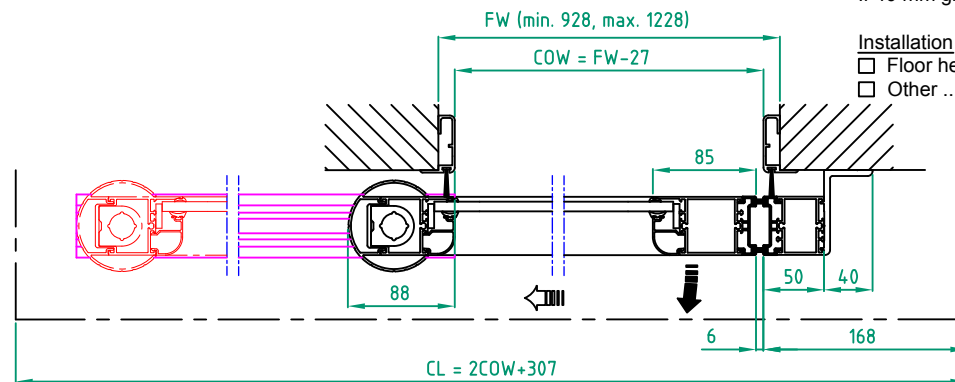
Glass code:

Limitation

If 22 mm glass FW x FH = max. 2,6 m²
 If 40 mm glass FW x FH = max. 2,2 m²

Installation

Floor heating
 Other



Customer:

Ref:

Door id:

Date:

Project No:

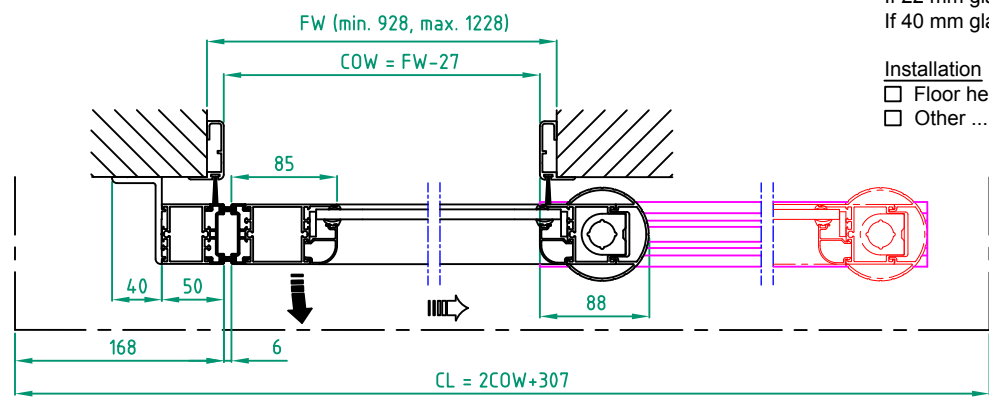
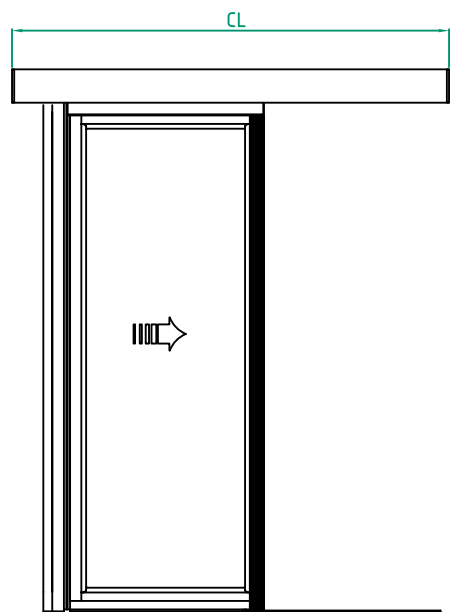
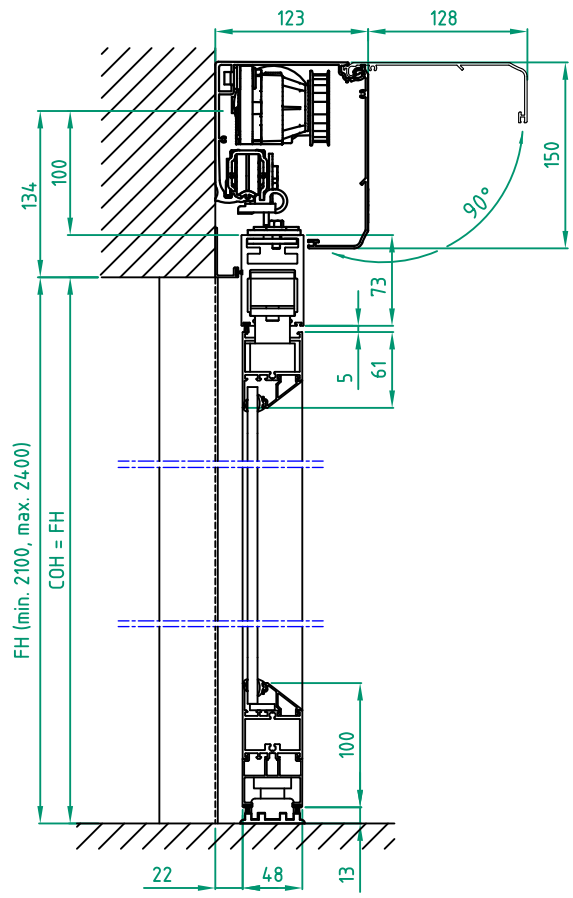
Sign:

Automatic door system
 ASSA ABLOY Frame reverse break-out
 1 Panel wall mounted opening left, Art. No. 1009383-1PS-15
 ASSA ABLOY SL500

ASSA ABLOY

6.0

1009383-EI



STATE WHEN ORDERING

- FW = mm
- FH = mm
- COW = mm
- COH = mm
- CL = mm

Surface treatment

- Silver anodized
- Special anodized
- RAL
- Special powder coating

Options see layers:

- Bottom rail 178
- Midrail 70, MH = mm
- Midrail 150, MH = mm

Glass option see drw. 1009026

Glass code:

Limitation

- If 22 mm glass FW x FH = max. 2,6 m²
- If 40 mm glass FW x FH = max. 2,2 m²

Installation

- Floor heating
- Other

©ASSA ABLOY Entrance Systems AB, 2017
Technical data subject to change without notice.

Customer: _____

Door id: _____

Project No: _____

Ref: _____

Date: _____

Sign: _____

Automatic door system
 ASSA ABLOY Frame reverse break-out
 1 Panel wall mounted opening right, Art. No. 1009383-1PS-15
 ASSA ABLOY SL500

ASSA ABLOY

6.0 1009383-EI