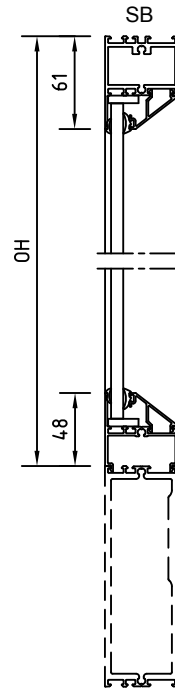
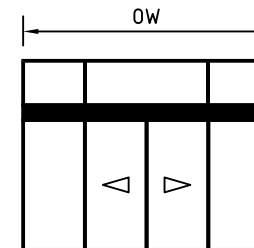
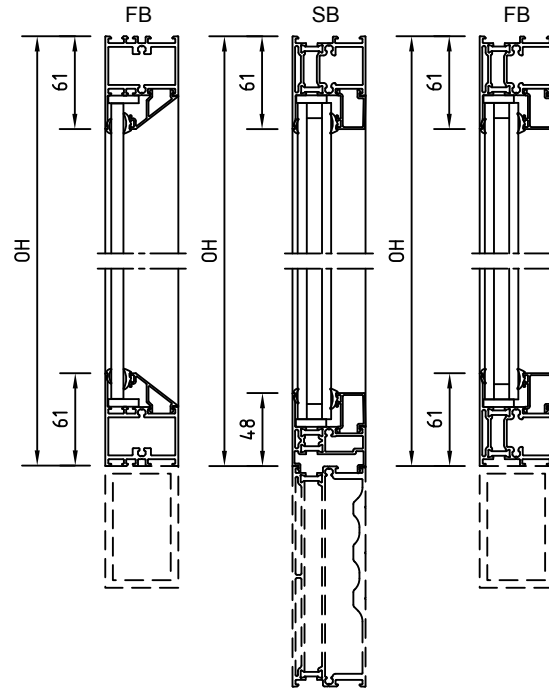


Frame



Frame Eco



State when ordering

OW=.....mm
 OH=.....mm
 OWA=.....mm
 OWB=.....mm
 OWC=.....mm

Remark:

OWB (recom.)=COW+83
 OWA,C (recom.)=(OW-OWB)/2
 OW= OWA+OWB+OWC

Profile type

- Frame
- Frame Eco

Style, bottom profile

- SB (snap bottom)
- FB (flat bottom)

Surface treatment

- Silver anodized
- Special anodized.....
- RAL
- Special powder coating
-

Glass option see drw. 1009026

State glass code:

Scale 1:5

Customer: _____

Door id: _____

Project No: _____

Ref: _____

Date: _____

Sign: _____

Automatic Door System
Liner Frame
Frame - Overlight three glass panes
Article No. 1008473

ASSA ABLOY

4

1008586