

Dock leveler

ASSA ABLOY DL6030C

ASSA ABLOY

ASSA ABLOY Entrance Systems

The global leader in
door opening solutions



Telescopic lip dock leveler for both trucks and vans

The electro-hydraulic ASSA ABLOY DL6030C Combidock eliminates the need for different ramp heights and thereby reduces building costs. It is advisable to equip every frequent loading area with at least one ASSA ABLOY DL6030C Combidock so that vehicles of all sizes can be efficiently handled.

The telescopic lip is supplied in high-stability aluminium alloy which is extremely flat, resulting in smoother passages between leveler and truck bed – giving ergonomic as well as economical advantages due to reduced chock loads for people and less wear and tear on the handling equipment.

Vehicles sink and rise during loading and unloading. A special safety control system ensures that the leveler automatically follows the vertical movements of the vehicle bed. Should the bed move horizontally, the same automatic system keeps the lip against the bed, facilitating safe and smooth passages.

Lorry or van - just turn the switch

Simply set the selection switch and the relevant automation program is started. When set on "Small Lorries", leveler lip side tongues are retracted and the width is reduced by 1000 mm. At the same time, the down-force of the leveler platform is reduced by a hydraulic unit. Just use the selector switch for return to standard lorry performance.

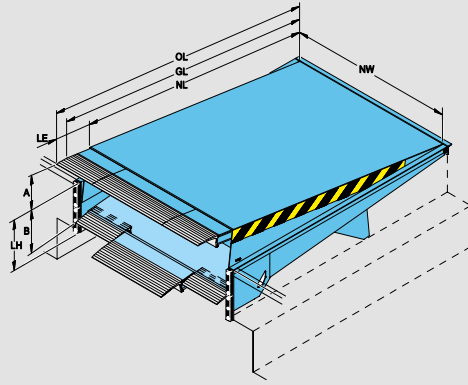
ASSA ABLOY 950 series - the intelligent, all in one, docking control system

The innovative and unique 950 series docking control system gives you direct control of the dock leveler, dock shelter and door all in one control unit. With only a few self-explaining buttons it is easy to operate, to meet the demands of modern logistics. Separate steering units or complex wiring are no longer needed.

Technical Data

Nominal length	3000, 3500, 4000 mm
Nominal width	2000 mm
Load capacity	lorries 60 kN (6 tonnes) vans 20 kN (2 tonnes)
Vertical working range	
Rise above dock	up to 590 mm
Fall below dock	down to 650 mm
Platform tear-plate thickness	8/10 mm
Max. point load leveler platform	6,5 N / mm ² (8 mm tear plate)
Lip material & length	aluminium, 500 mm
Control unit protection class	IP 54
Nominal voltage	400V 3-phase
Nominal motor power	1,5 kW
Control unit	standard truck / city van mode Impulse auto button. Optional with door operation
European standard	EN 1398 Dock levelers

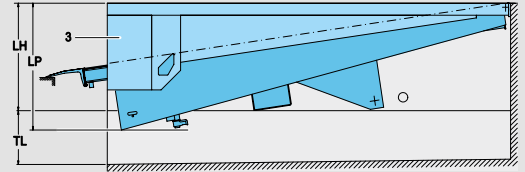
Dimensions



NL	Nominal length
OL	Overall length (NL + 500 mm)
GL	Gradient length (NL + 360 mm)
NW	Nominal width (= 2000 mm)
LE	Leveler extension
LH	Leveler height
A	Working range above dock level
B	Working range below dock level
PD	Pit depth

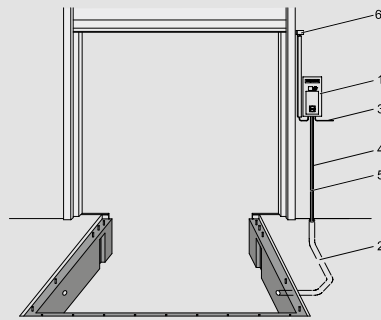
Dimensions		Vertical working range		
NL	LH	A	B - inside LH*	B - down to LP
3000	800	450	375	550
3500	900	560	360	650
4000	930	590	390	650

* when tail lift is in use



LP	Lowest Position
TL	Tail lift area
3	Leveler frame

Electrical preparations



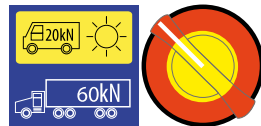
1	Control unit (included in the delivery)
2	Conduit for wiring internal diameter 50, angles <45° (by others)
3	Mains supply: 3 / N / PE AC 50 Hz 230 / 400V Mains fuse: D0 10 A gL Motor power: 1,5 kW
4	Control cable: 18 x 0,75 mm ²
5	Main connection 230V: 4 x 1,5 mm ²
6	Optional safety switch on sectional door to disable leveler when door is closed*

*Non standard

Operating functions for combidock levelers 950







Loading mode 20 kN



Loading mode 60 kN



Standard available colours

	Red RAL 3002		Green RAL 6005
	Blue RAL 5010		Jet Black RAL 9005