

Dock leveler

ASSA ABLOY DL6120STA

ASSA ABLOY

ASSA ABLOY Entrance Systems

The global leader in
door opening solutions



The efficient and safe docking process

The ASSA ABLOY DL6120STA Stepdock Autodock is a dock leveler that provides increased efficiency and safety for the docking process. It has a telescopic lip and self supporting frame for easy integration with a building. It is the base of a complete Load house outside the building. The operation is based on the proven telescopic lip technology which is the universal and most flexible docking system. The ASSA ABLOY DL6120STA Stepdock Autodock provides other advantages than a standard telescopic lip leveler.

The design was specifically developed to let a truck dock to the loading bay with closed rear doors. First the truck is put in the right position and then preferably an inflatable dock shelter seals off the loading bay before the sectional door is opened. The last step of the complete dock-in procedure is that the rear doors of the truck are opened. This sequence "dock first – open the rear doors later" provides a number of benefits: saving of energy, improving working conditions in particular for the truck driver, increasing safety of people / goods, and improving the efficiency of the docking process.

Ideal solution for various applications

- Hygienic transport with high focus on safety.
- Food logistic demanding the unbroken cold chain.
- Container transport with customs purposes.
- High attention on theft prevention.

ASSA ABLOY 950 series - the intelligent, all in one, docking control system

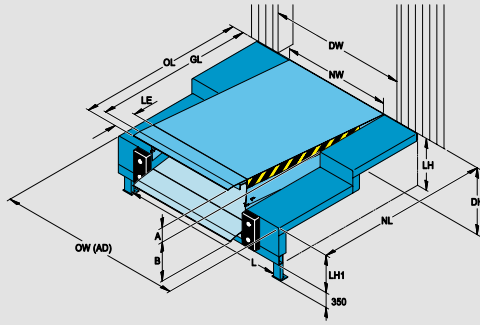
The innovative and unique 950 series docking control system gives you direct control of the dock leveler, dock shelter and door all in one control unit. With only a few self explaining buttons it is easy to operate, to meet the demands of modern logistics. Separate steering units or complex wiring are no longer needed.

Technical Data

Nominal length ¹	2450 mm
Nominal width	3300, 3500, 3600, 3750 mm
Load capacity	60 kN (6 tonnes)
Vertical working range	
Rise above dock	up to 220 mm
Fall below dock	down to 620 mm
Platform tear-plate thickness	8/10 mm
Max. point load leveler platform	6,5 N / mm ² (8 mm tear plate)
Lip Type and Length	telescopic, 500 mm ergonomic lip, 345 mm
Lip Material	steel or aluminium
Control unit protection class	IP 54
Temperature range hydraulic oil	-20°C - +60°C
European standard	EN 1398 Dock levelers

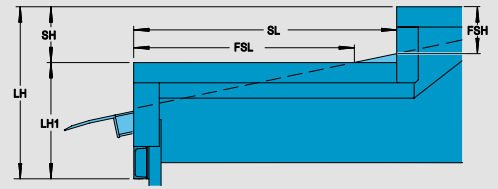
1) Other sizes on request

Dimensions



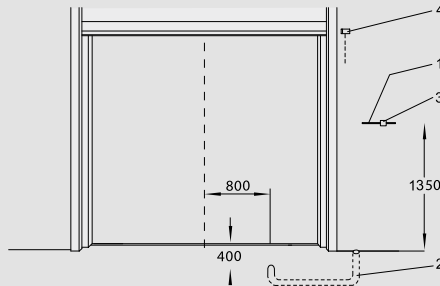
SH	Step height (250 mm)
SL	Step length (1300 mm)
FSH	Free Step height
FSL	Free Step length

Dimensions	Vertical working range				Step			
	LE 500		LE 345		FSL	FSH		
NL	LH / LH1		A	B	A	B	FSL	FSH
2000	850 / 600		220	620	210	600	1140	225



NL	Nominal length
OL	Overall length
GL	Gradient length
NW	Nominal width (2000 mm)
LE	Lip extension
LH / LH1	Leveler heightback / front
A	Working range above dock level
B	Working range below dock level
DH	Dock height
DW	Door width
NW (AD)	Nominal width Autodock (incl. side tread panels)
L	Distance between plinths
OW (AD)	Overall width Autodock = NW (AD) -20

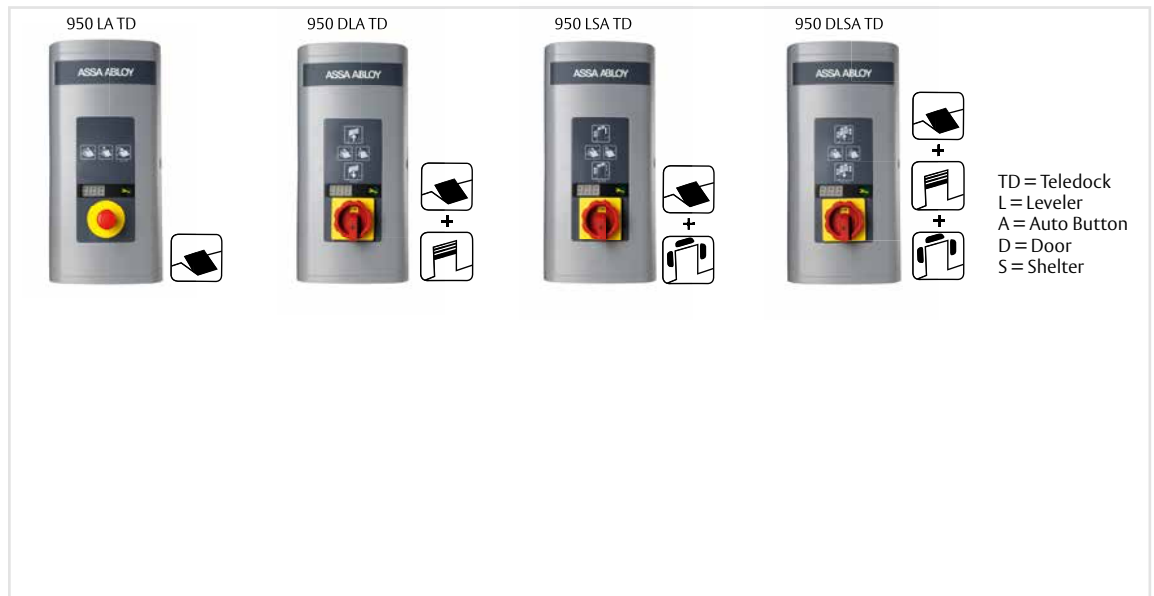
Electrical preparations



1	Control unit (included in the delivery)
2	Conduit for wiring internal diameter 70, angles <45° (by others)
3	Mains supply: 3 / N / PE AC 50 Hz 230 / 400V Mains fuse: D0 10 A gL Motor power: 1,5 kW
4	Cable: 7 x 0,75 mm ²
5	Motor cable: 4 x 1,5 mm ²
6	Optional safety switch on sectional door to disable leveler when door is closed*

*Non standard

Operating functions for Tele lip levelers



Standard available colours

