

Dock shelter

ASSA ABLOY DS6070B

ASSA ABLOY

ASSA ABLOY Entrance Systems

The global leader in
door opening solutions



Inflatable dock shelter

The food industry puts high demands on loading bay sealing in order to keep the cold chain as intact as possible. The dock shelter must provide continuous weather protection throughout the entire loading and unloading operation.

Contrary to other types of dock shelters, with the ASSA ABLOY DS6070B inflatable shelter the vehicle does not push towards the shelter. Instead, the shelter is inflated around the docked vehicle, providing complete sealing. The inflatable shelters are suitable for a wide range of vehicle sizes and their sealing capacity exceeds by far the standard normally required by operators.

In rest position, the ASSA ABLOY DS6070B inflatable shelter is completely retracted behind the side structures, giving the vehicle driver the possibility to use the complete width of the loading bay when reversing into it. In addition, yellow front line indicators further facilitate the dock-in navigation. Stable collision protectors at the ramp height prevent shelter damages.

Insulated top and side panels

The inflatable dock shelter is installed into a frame construction covered by insulated panels, giving additional insulation effects. The design facilitates easy and fast component exchange, should this be needed.

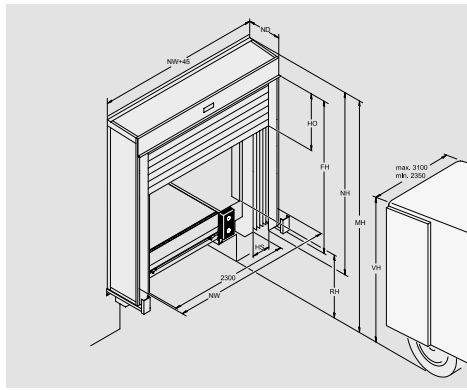
High quality material composition

The side and top inflatable airbags are made of impact resistant material with a strong, woven core. It is non-flammable, colour stable and highly resistant to weather impacts – in other words a material well suited for optimal function in rough docking environments.

Technical Data

| | |
|----------------------|---|
| Nominal height | 3755, 4055, 4355, 4555 mm |
| Nominal free height | 3300, 3600, 3900, 4100 mm |
| Nominal width | 3600 mm |
| Nominal depth | 770, 1020 mm |
| Top bag extension | 1000, 1300 mm |
| Side bag extension | 650 mm |
| Walls and roof | insulated panel, 42 mm |
| Standard RAL colours | 9002, 9016, 1021, 3002, 5010, 6005, 7016, 9006, 9007, 9010 |
| Fabric quality | PVC coated polyester |
| Top bag | 500 g/m ² , thickness 0,5 mm |
| Side bag rear | 600 g/m ² , thickness 0,5 mm |
| Side bag front | 2500 g/m ² , thickness 2 mm |
| Fan | 230 V, 1-phase, 50 Hz, 250 W noise level: 65 dBA in working position |
| Operating | Switch control included Other controls available as option |
| Temperature range | -30°C to +60°C |

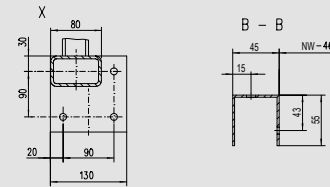
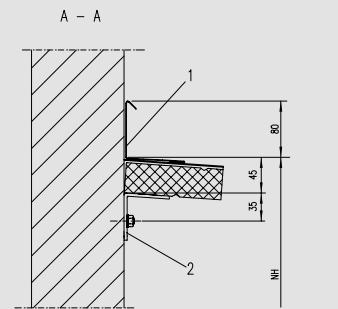
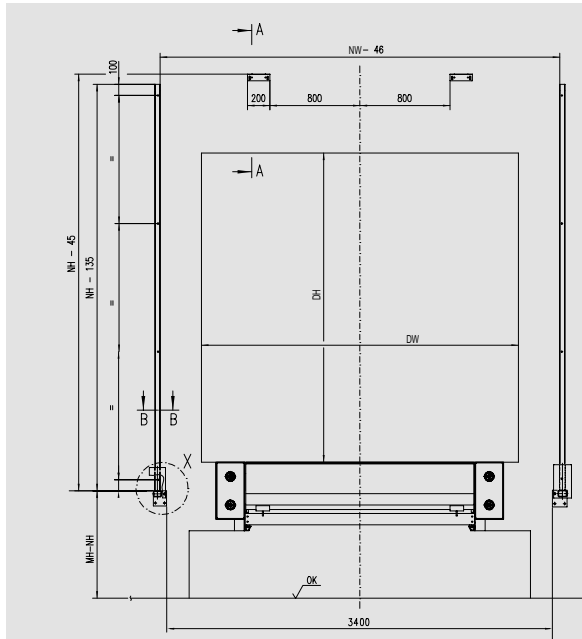
Dimensions



| Abb. | Dimension | Value (mm) |
|------|--------------------------|--------------------------|
| NW | Nominal width | 3600 |
| NH | Nominal height | 3755, 4055, 4355, 4555 |
| ND | Nominal depth | 770, 1020 |
| FH | Free height above level* | 3300, 3600, 3900, 4100** |
| HO | Top bag extension | 1000, 1300 |
| HS | Side bag extension | 650 |
| MH | Installation height | VH+500 |
| RH | Dock height | |
| VH | Vehicle height | |

* depending on MH (installation height)
** maximum sizes

Fixing points



- 1 Wall mounting profile*
 - 2 Support bracket*
- * belongs to the wall fixing

Wall fixings

