



Inflatable Economic dock shelter

The handling of cooled or frozen food put high demands on the temperature chain, the inflatable shelter is a key component of a preferred loading bay design. The unique feature of the ASSA ABLOY DS6070E inflatable dock shelter economic is the long life time rubber coated fabric of the airbags, which facilitates very flexible sealing of the vehicle movements during loading and unloading. The simple design of the seal is outstanding, only consisting of a roof part with fixings and the sealing airbags. It has no wall construction around the side bags that can be damaged by the loading vehicles during dock-in manoeuvring, and when the ASSA ABLOY DS6070E Inflatable dock shelter economic is deflated the side bags and the top bag are well protected.

The truck is not driven into the shelter as usual but only after docking the ASSA ABLOY DS6070E inflatable dock shelter economic will be inflated and put tightly around the coachwork. Due to this principle a unique adaptation to the most different kind of trucks can be obtained.

High quality material composition

The side and top inflatable airbags are made of impact resistant material with a strong, woven core. It is non-flammable, colour stable and highly resistant to weather impacts – in other words a material well suited for optimal function in rough docking environments.

Technical Data

Nominal height	3755, 3925, 4375 mm
Nominal width	3250, 3550 mm
Nominal depth	1080 mm
Top bag extension	800, 900 mm
Side bag extension	350 mm (standard for NW=3250) "S" 500 mm (standard for NW=3550) "L"
Roof	Sheet plate, RAL 9005 black
Front plate	Steel sheet galvanized
Fabric quality	PVC coated polyester
Top bag	410 g/m ² , thickness 0,5 mm
Side bag	410 g/m ² , thickness 0,5 mm
Fan	PVC-gecoat polyester 500 g/m ² , dikte 0,5 mm 600 g/m ² , dikte 0,5 mm 2500 g/m ² , dikte 2 mm
Ventilator	230V, 50 Hz, 1,8A 400V, 50 Hz, 1,8A Noise level: 75dBa in working position
Temperature range	-30°C to +70°C

Dimensions

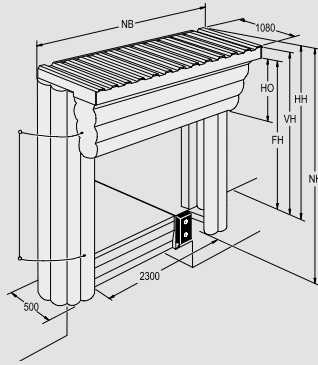
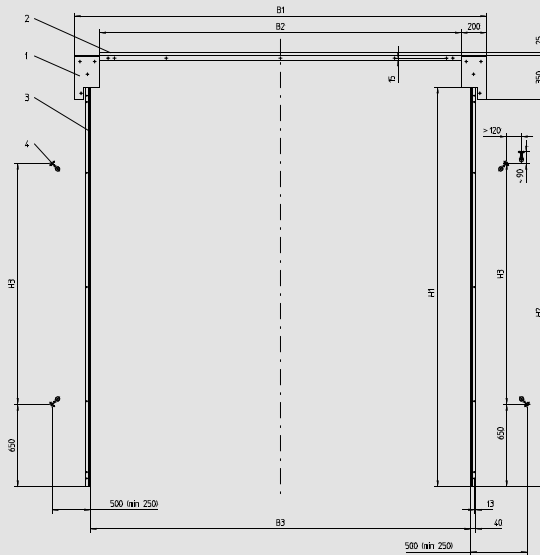


Abb.	Dimension	Value (mm)
NW	Nominal width	3250, 3550, 4375
NH	Nominal height	3775, 3925
ND	Nominal depth	1080
HO	Top bag extension	800, 1100
HS	Side bag extension	350 (NW=3250) "S" 350 (NW=3550) "L"

Fixing points



X1	Console		
X2	F-profile top		
X3	C-profile side		
X4	Block pulley for tensioning rope		
NB	Nominal width		
NH	Nominal height		
NH	H1	H2	H3
3775	3500	3402	2250
3925	3650	3552	2400
4375	4100	4152	3000
NB	B1	B2	B3
3250	3250	2850	3000
3550	3550	3150	3300

Wall fixings

Concrete wall

Steel wall

1	Console
2	F-profile top
3	C-profile side
4	Block pulley for tension rope
5	Heavy duty bolt Ø 12
6	Dowel with slotted round head wood screw 8x60
7	Dowel with slotted round head wood screw 4x40
8	Self drilling screw with washer 9.5x32
9	Self tapping screw with washer 8x32
10	Self tapping screw 5.5x25

Note!
The wall surface at the installation point, NH + 150 mm and NB + 100 mm, should be smooth and flat!